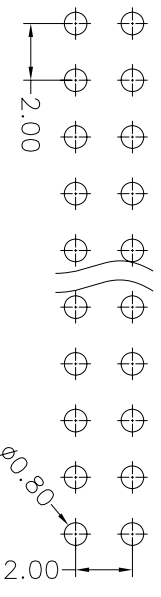
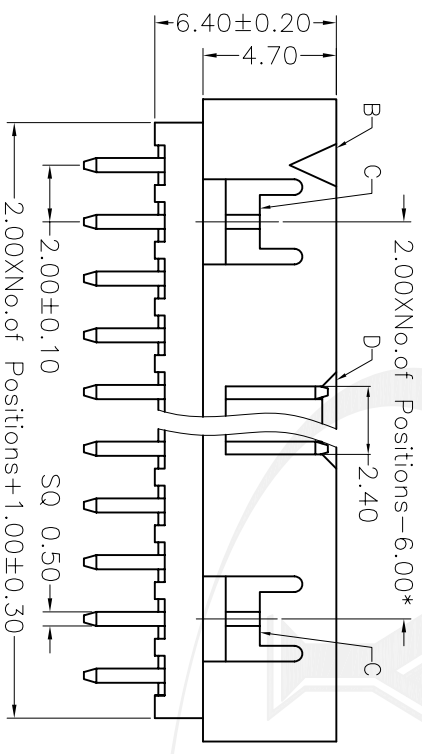
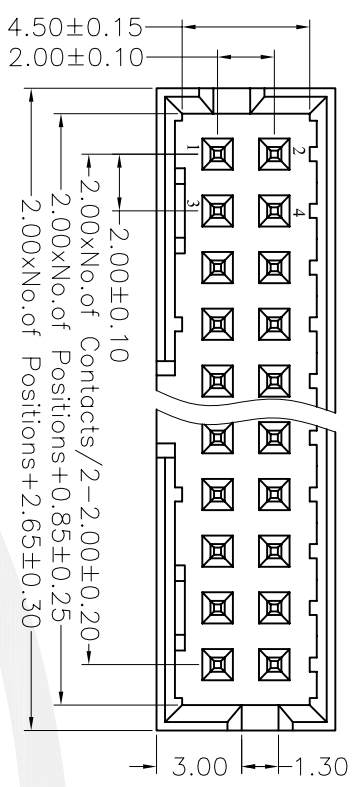
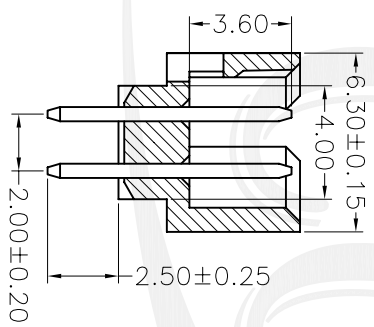


Rev No	Revision note	Date	Signature	Checked
A/0				



Recommended P.C. Board Hole Layout



**NOTES:**  
**SPECIFICATION**

Current Rating:1.5Ampereper Contact  
 Contact Resistance:20Milliohms Max  
 Insulation Resistance:1000Megohms Min  
 Dielectric Withstanding Voltage:500V AC(for 1 minute)  
 Operation Temperature:-40°C~+105°C  
**Material**  
 Contact Material:Brass  
 Contact Plating:Au or Sn Over Ni  
 Insulator Material:Glass Filled Polyester(UL94V-0)  
 Standard:Nylon-6T

**3023-XX S XX X012**

No. of Pins	Contact Plating	Color Insulator
10=10P 14=14P 16=16P 20=20P 24=24P 26=26P 30=30P 34=34P 40=40P 44=44P 50=50P 60=60P	G0=Gold Flash G1=3u" Gold G2=5u" Gold G3=10u" Gold G4=15u" Gold G5=30u" Gold S0=Gold Flash/Tin SN=Tin	B=Black W=White U=Blue R=Red Y=Yellow G=Grey

THIS DRAWING IS A CONTROLLED DOCUMENT			
DRWN	JACK	DATE	OCT 05 2006
CHK	MIKE	DATE	OCT 05 2006
APVD		DATE	OCT 05 2006
TOLERANCES UNLESS OTHERWISE SPECIFIED		TITLE	
0 PLG ± —	1 PLG ± 0.20	2.00mm Box Header, Straight DIP	
2 PLG ± 0.25	3 PLG ± 0.30	PART NO. 3023-XXSXXX012	
4 PLG ± 0.30	ANGLES ± 3°	DRAWING NO. YT-3023S1	
CAGE CODE 00871		FILE PATH	
UNITS MM		SCALE 4:1	SIZE A4
DRAWING NO. YT-3023S1		SHEET 1 OF 1	
REV A		REV A	



4

3

2

1

4

3

2

1