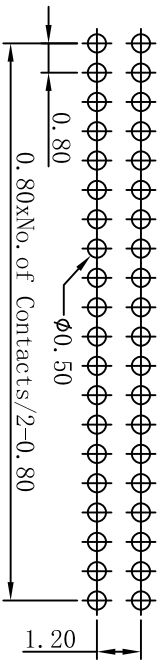
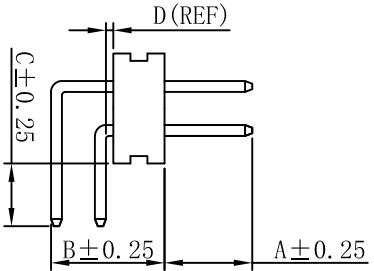
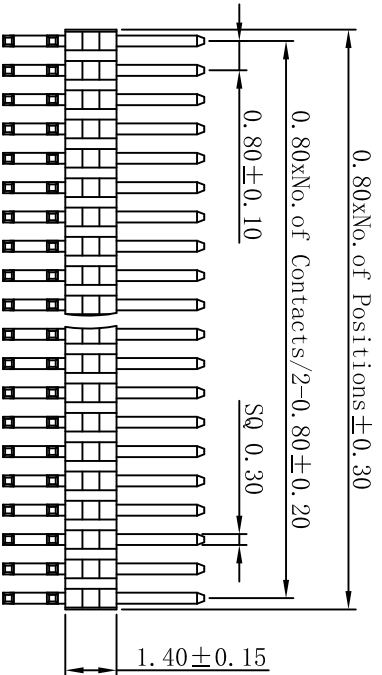
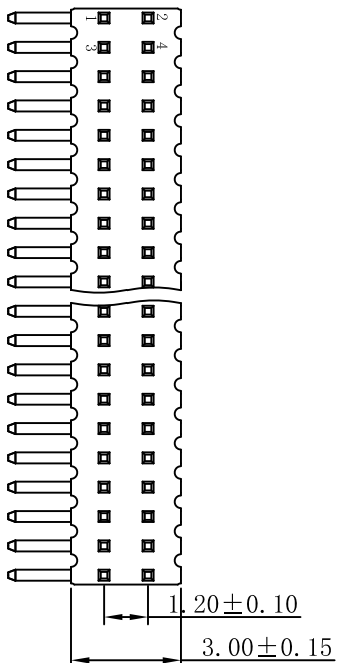


Rev No	Revision note	Date	Signature	Checked
A/0	NEW DRAWING	DEC. 07. 2020		



Recommended P. C. B Layout (Top Side)
(PCB BOARD TOLERANCE±0.05)

Electrical:

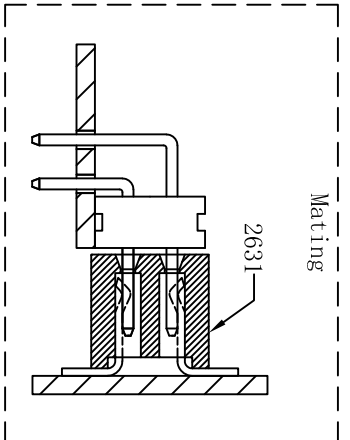
Current Rating: 0.75AMP.
Contact Resistance: 30mΩ Max.
Insulation Resistance: 1000MΩ Min.
Withstanding Voltage: 500V AC/DC.

Mechanical:

Contact Material: Brass (Sq 0.30mm) .
Contact Plating: Au or Sn Over Ni.
Insulator Material: Polyester UL94V-0.
Standard: LCP+30%G. F.

Environmental:

Operating Temp Range: -55°C~+125°C with Gold
-40°C~+105°C with Tin
Max. Processing Temp: +230°C for 30~60 Seconds
+260°C for 10 Seconds



Ordering Code:

1614-12 XX R XX X XXX 0 X 01

No. of Pins PerRow: 02~50	Contact Plating G1=30" Gold G2=50" Gold G3=100" Gold G4=15U" Gold G5=30U" Gold S=Gold/Flash/Tin S=White tin	Insulator Material A=BK-PBT P=BK-PA6T C=BK-PA9T D=BK-LCP	Pin Length (Short) J=A+C+D-2.00	Packing T=Tube P=Tube+CAP R=Tray Reel=CAP
------------------------------	--	--	------------------------------------	---



PHO. 80*1.20, DUAL ROW, R/A, H=1.4

Dimension Antitheses List			
ITEM	Pin Length	A	B
Standard	7.10	2.80	3.00
Alternate			2.20

THIS DRAWING IS A CONTROLLED DOCUMENT

DIMENSIONS IN INCHES

TOLERANCES UNLESS OTHERWISE SPECIFIED	
0 P.I.C	± 0.40
1 P.I.C	± 0.25
2 P.I.C	± 0.15
3 P.I.C	± 0.10
4 P.I.C	± 3°

AWD	DATE	DEC. 07. 2020
CHK	DATE	DEC. 07. 2020
DESIGNER	NAME	PETER
SCALE	SIZE	5 : 1 A4
FILE NAME	FILE PATH	A/D/YTC007/Pin Header/0.80x1.20mm

PART NO.	1614-12R
DRAWING NO.	1614-12R
YTCO TECHNOLOGY	
HTTP://WWW.YTCO.CO	
SHEET	1 OF 1
REV	A